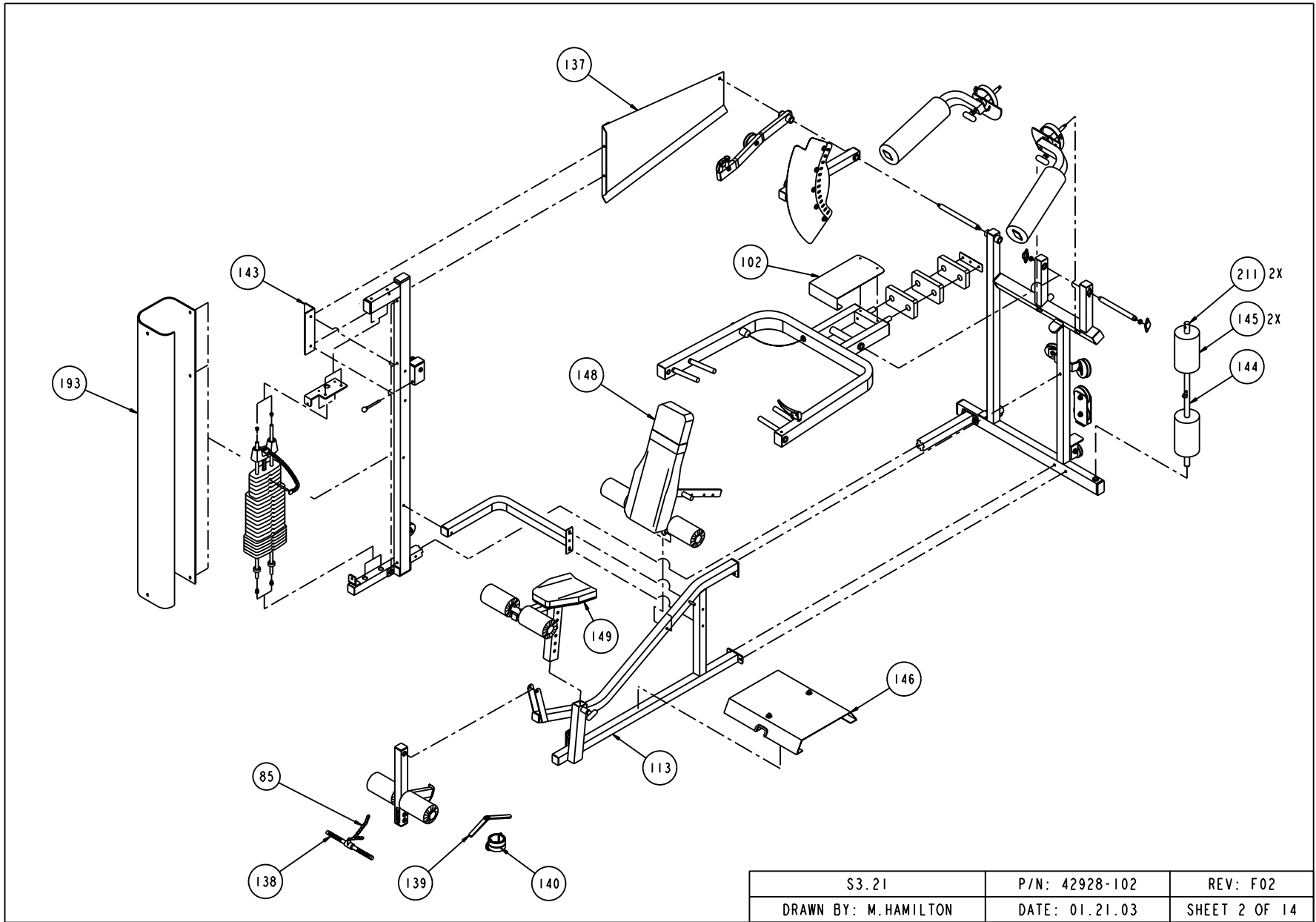
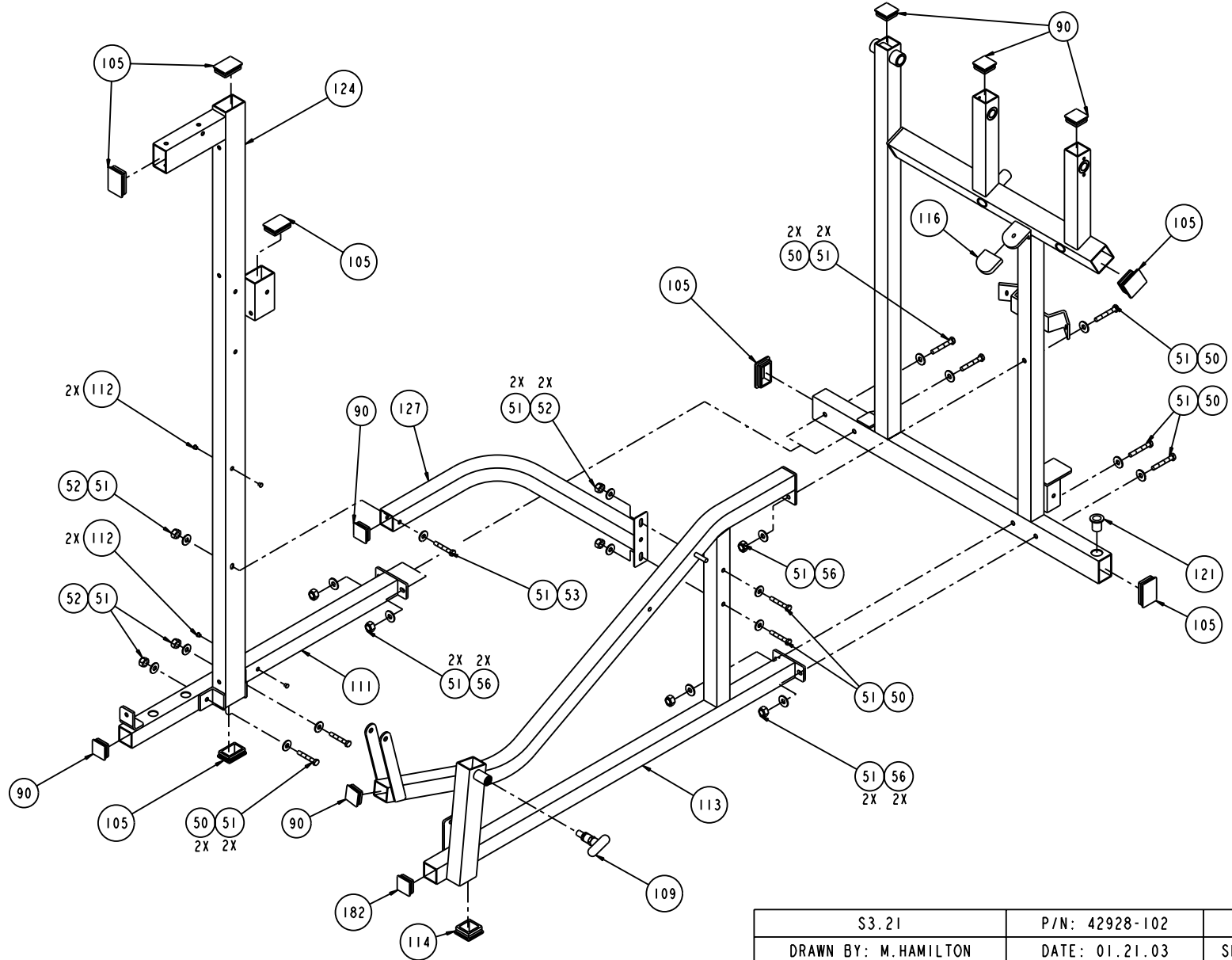
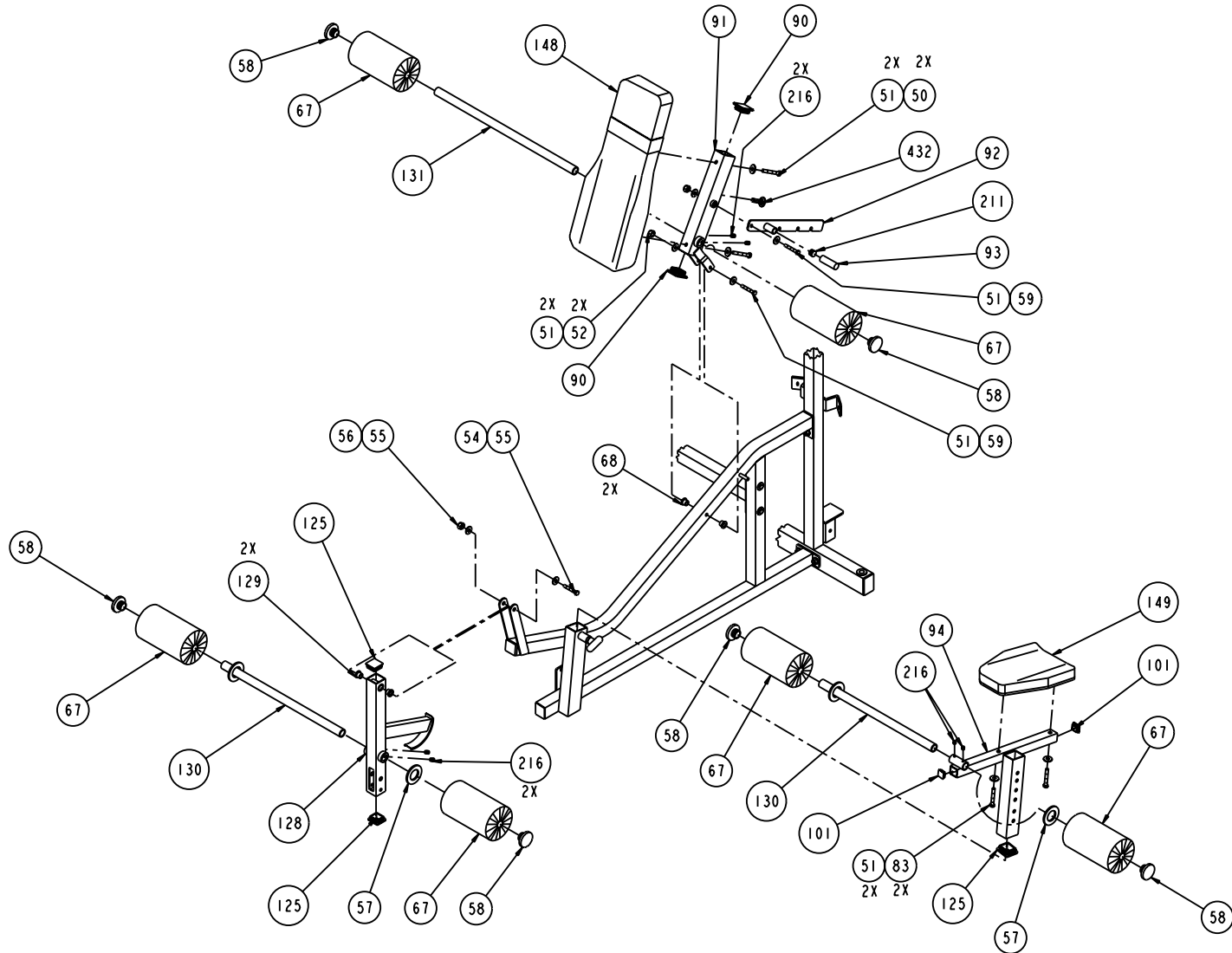


S3.21	P/N: 42928-102	REV: F02
DRAWN BY: M.HAMILTON	DATE: 01.21.03	SHEET 1 OF 14

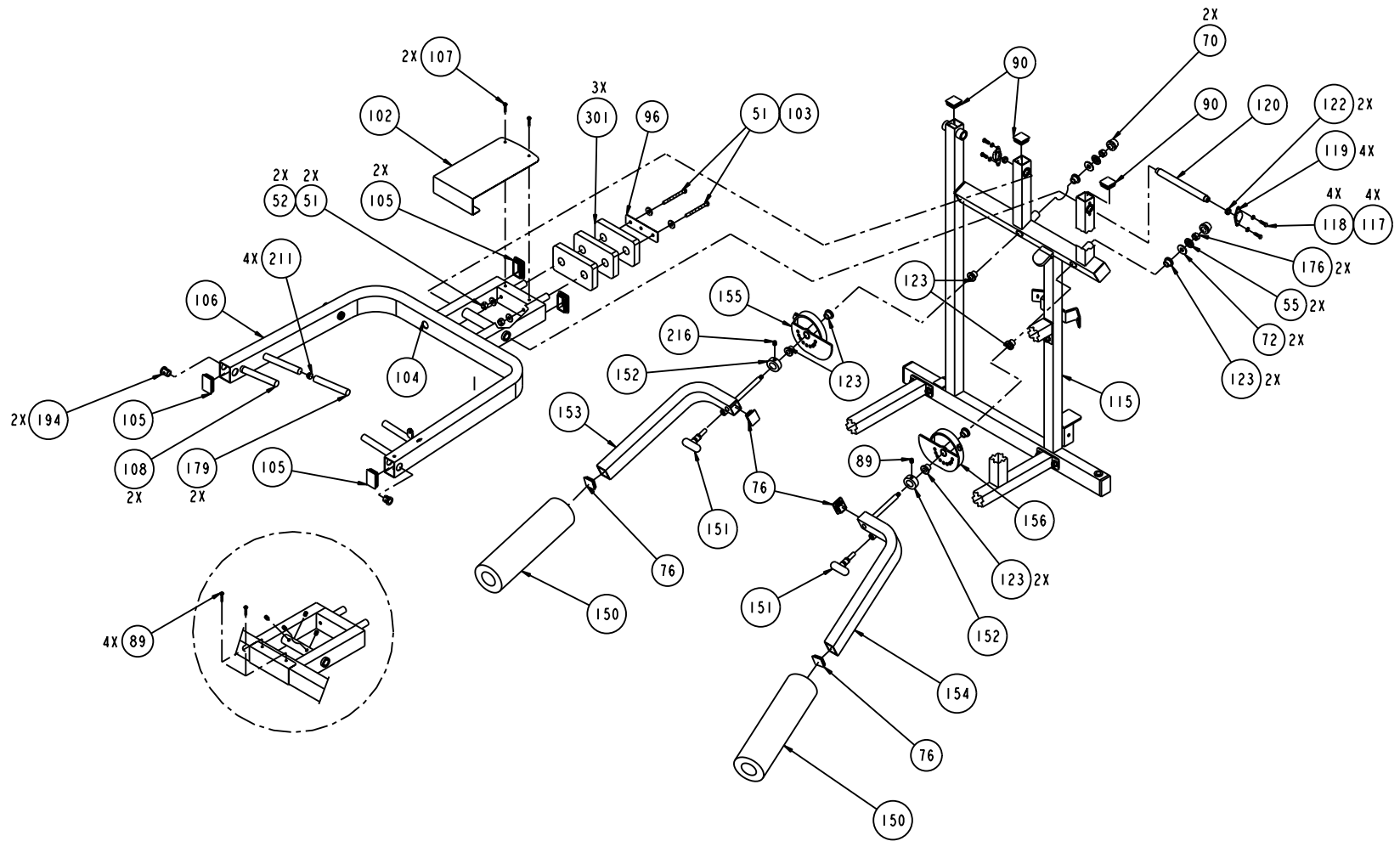




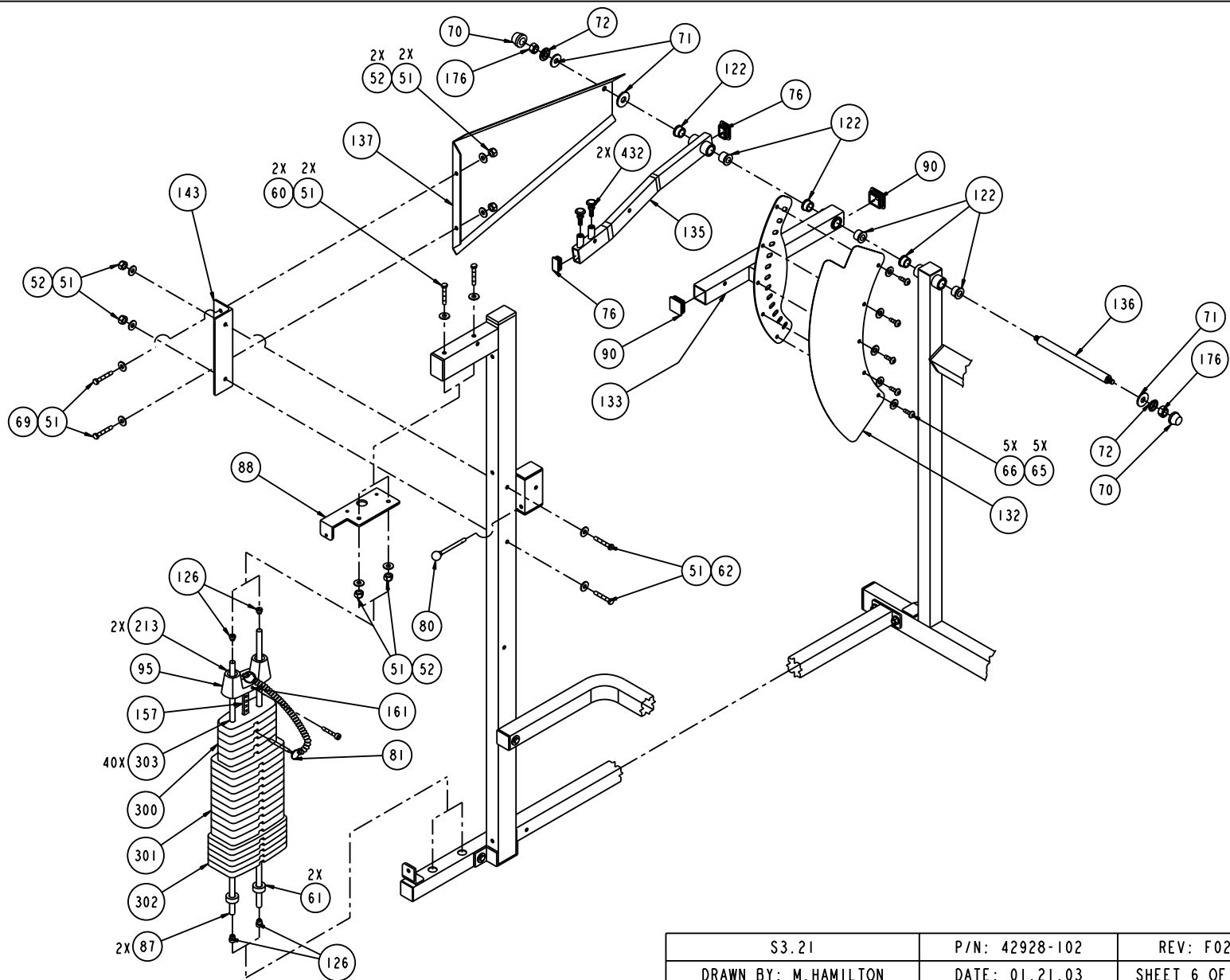
S3.21	P/N: 42928-102	REV: F02
DRAWN BY: M.HAMILTON	DATE: 01.21.03	SHEET 3 OF 14



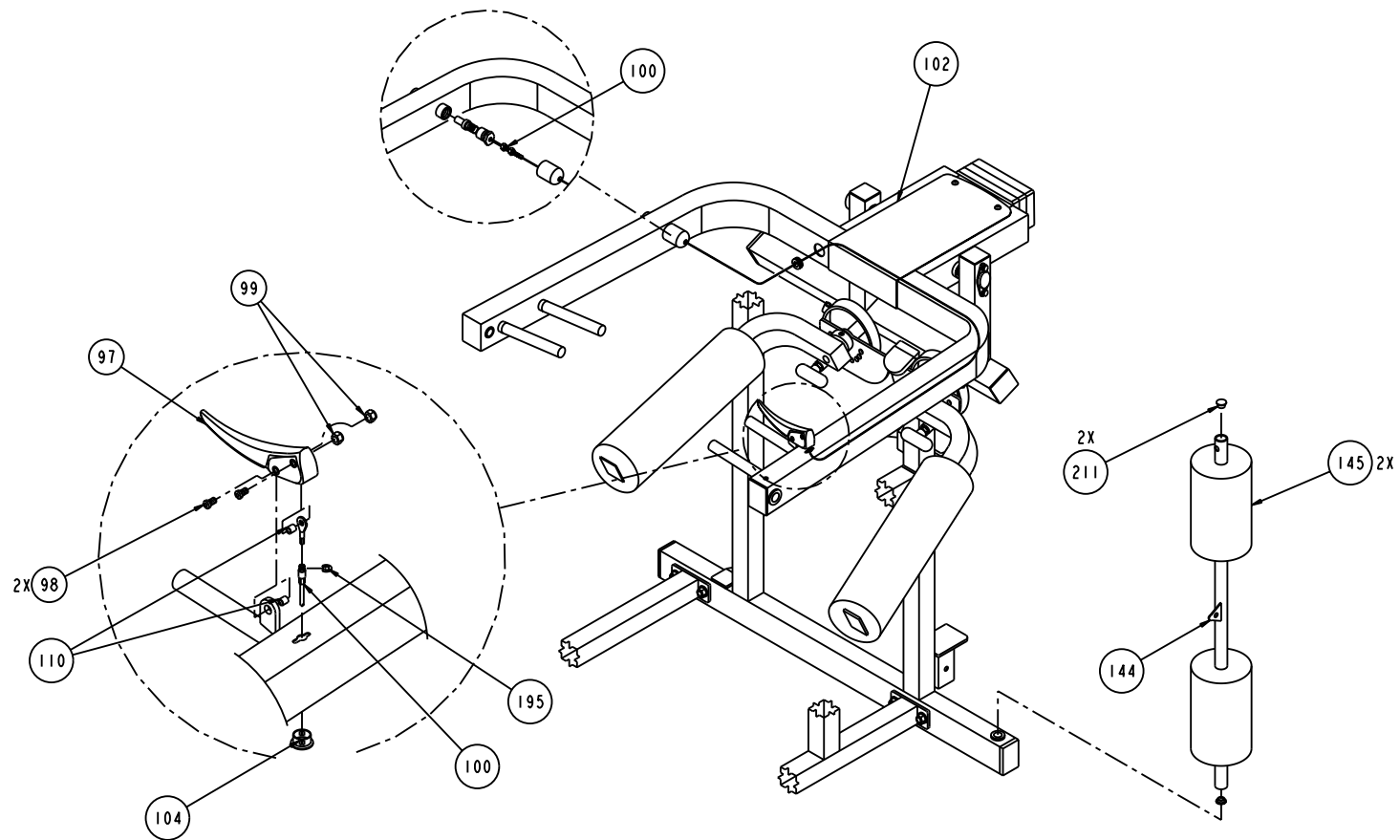
S3.21	P/N: 42928-102	REV: F02
DRAWN BY: M.HAMILTON	DATE: 01.21.03	SHEET 4 OF 14



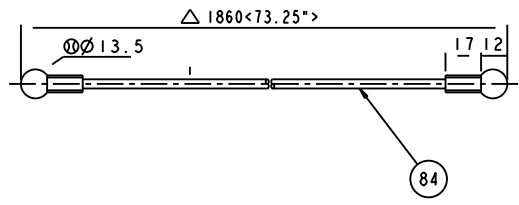
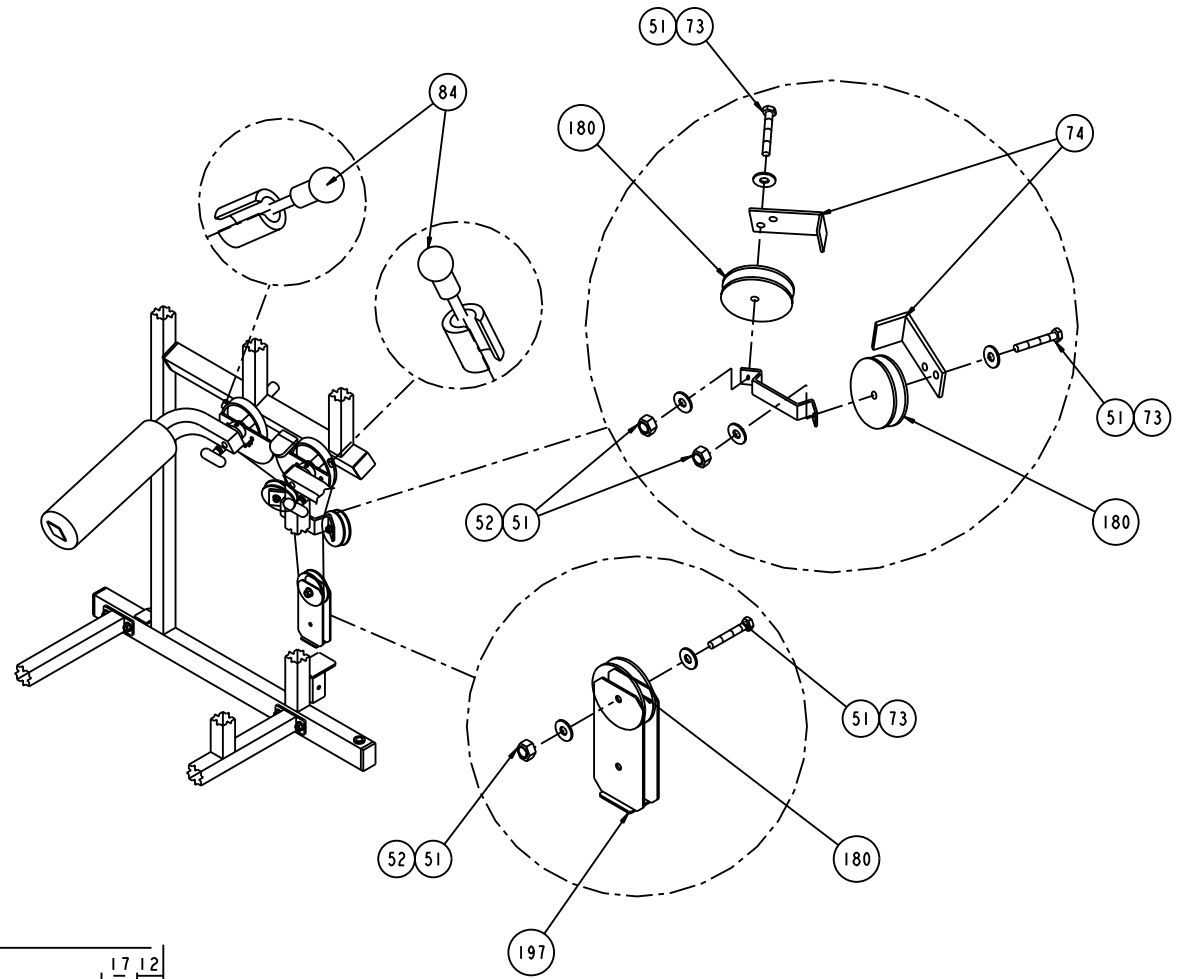
S3.21	P/N: 42928-102	REV: F02
DRAWN BY: M.HAMILTON	DATE: 01.21.03	SHEET 5 OF 14



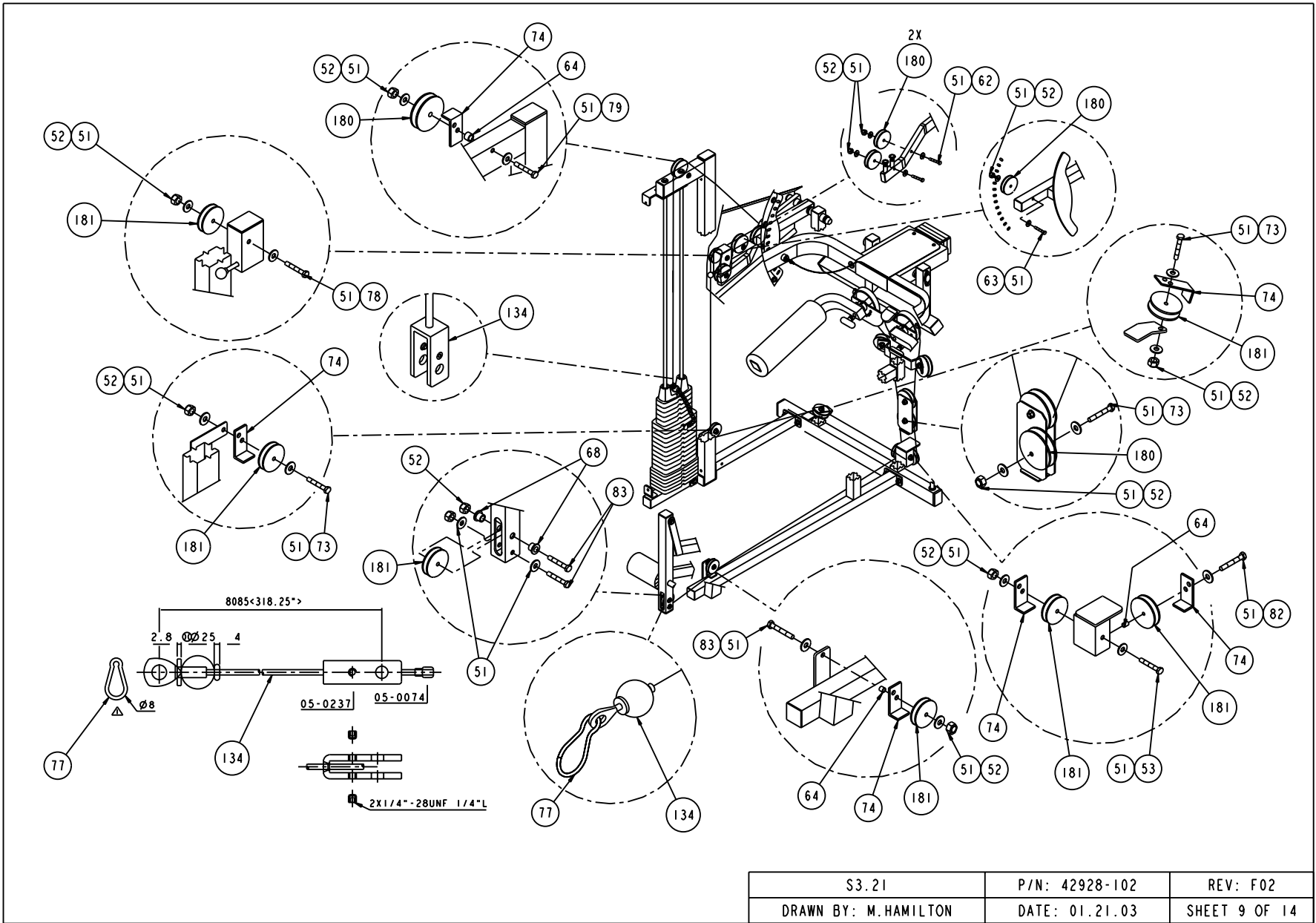
S3.21	P/N: 42928-102	REV: F02
DRAWN BY: M.HAMILTON	DATE: 01.21.03	SHEET 6 OF 14



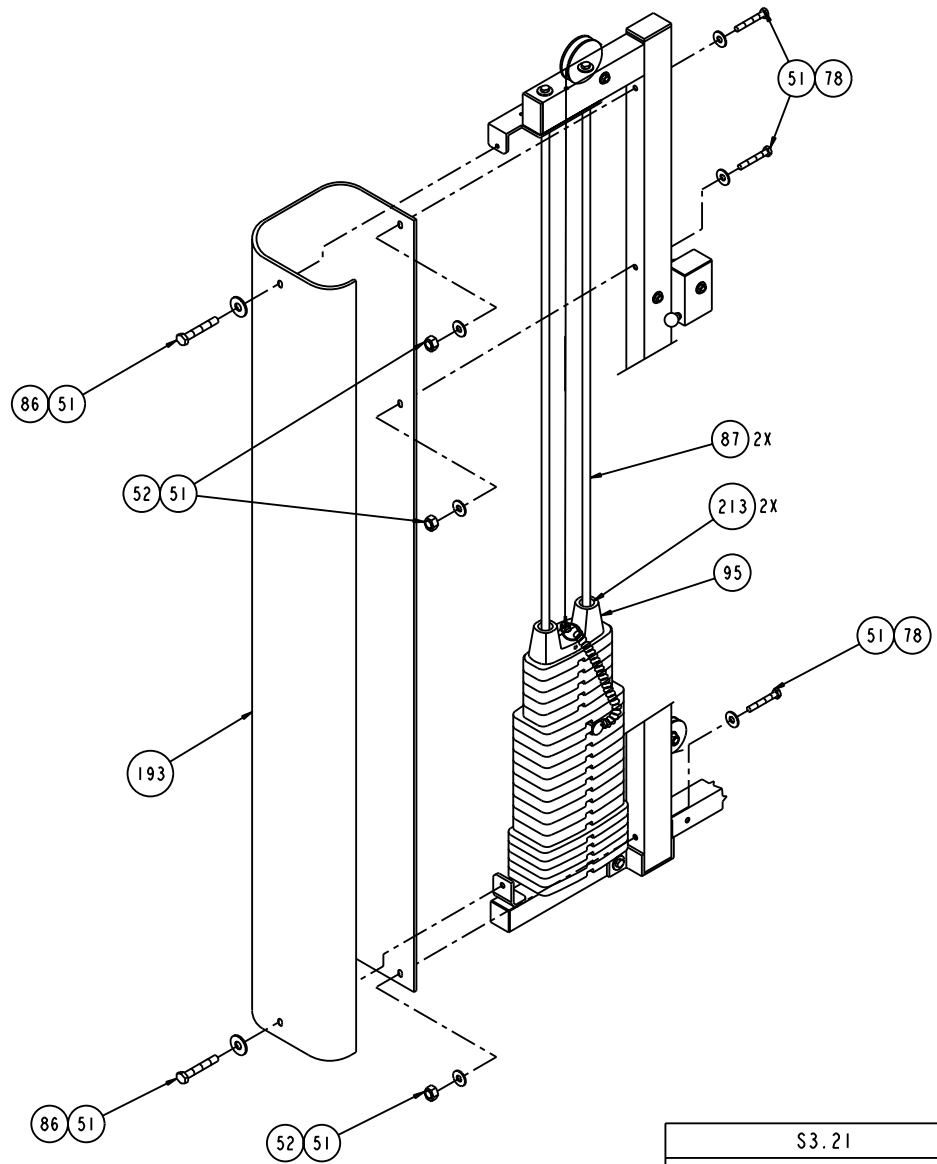
S3.21	P/N: 42928-102	REV: F02
DRAWN BY: M.HAMILTON	DATE: 01.21.03	SHEET 7 OF 14



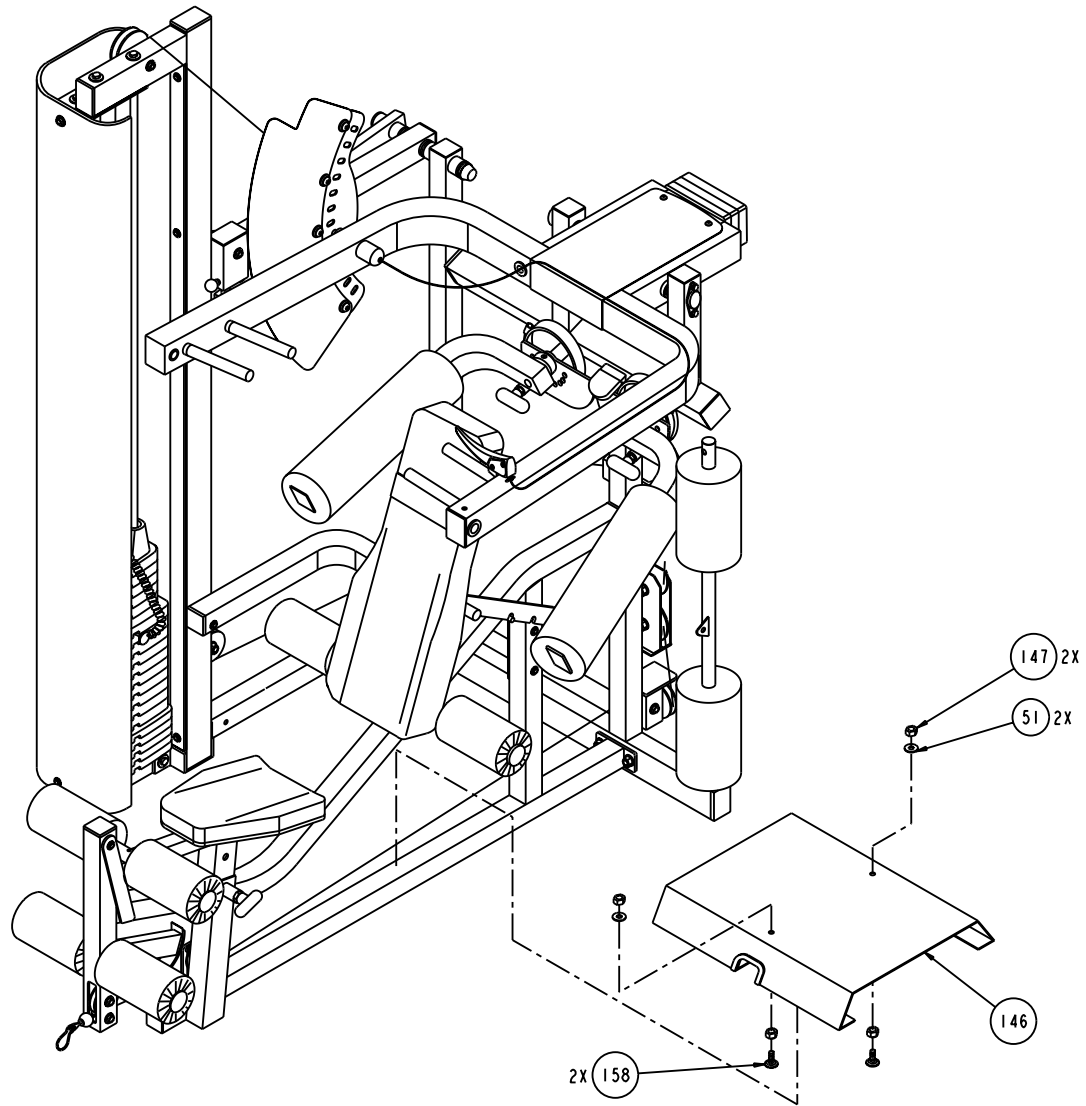
S3.21	P/N: 42928-102	REV: F02
DRAWN BY: M.HAMILTON	DATE: 01.21.03	SHEET 8 OF 14



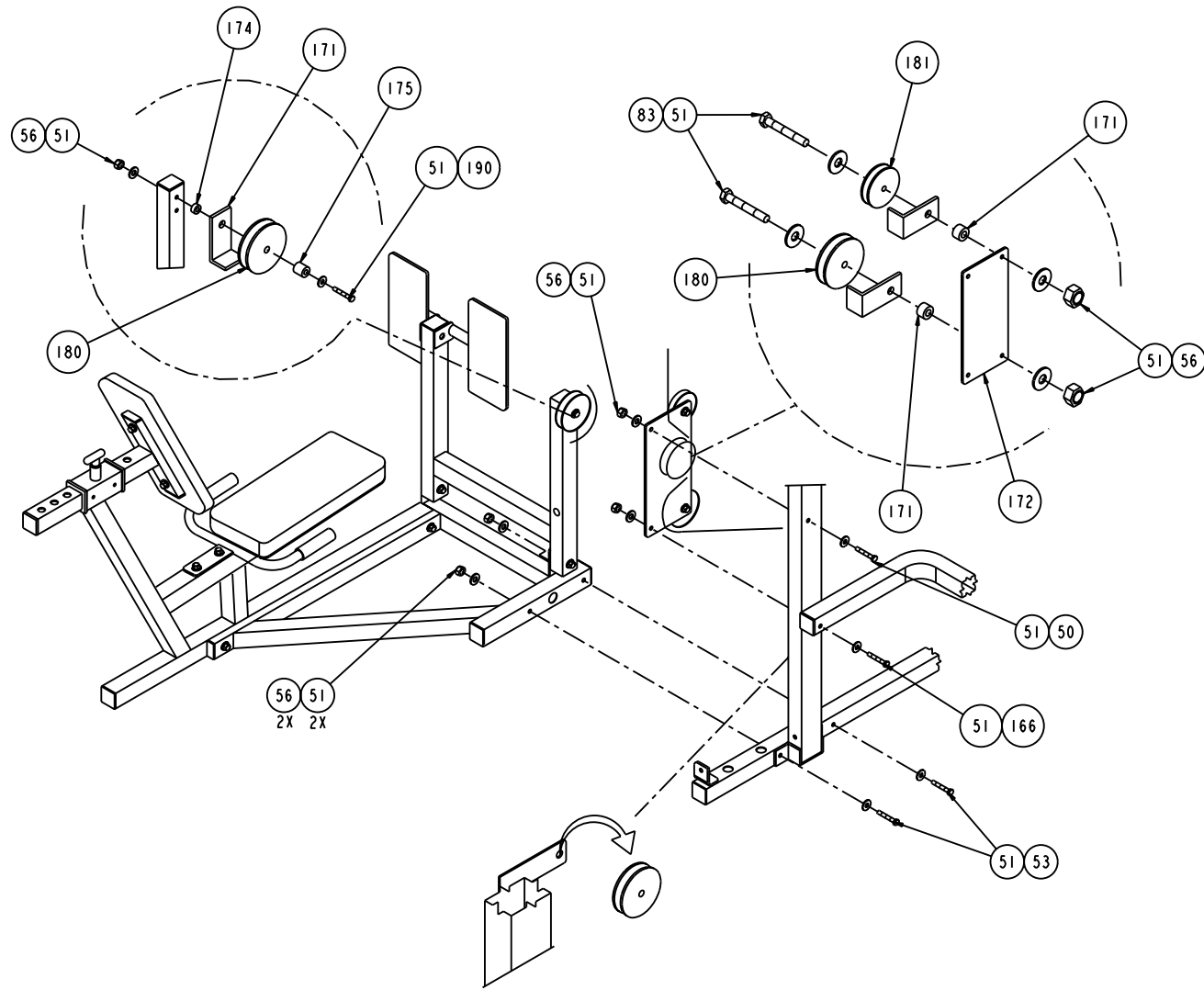
S3.21	P/N: 42928-102	REV: F02
DRAWN BY: M.HAMILTON	DATE: 01.21.03	SHEET 9 OF 14



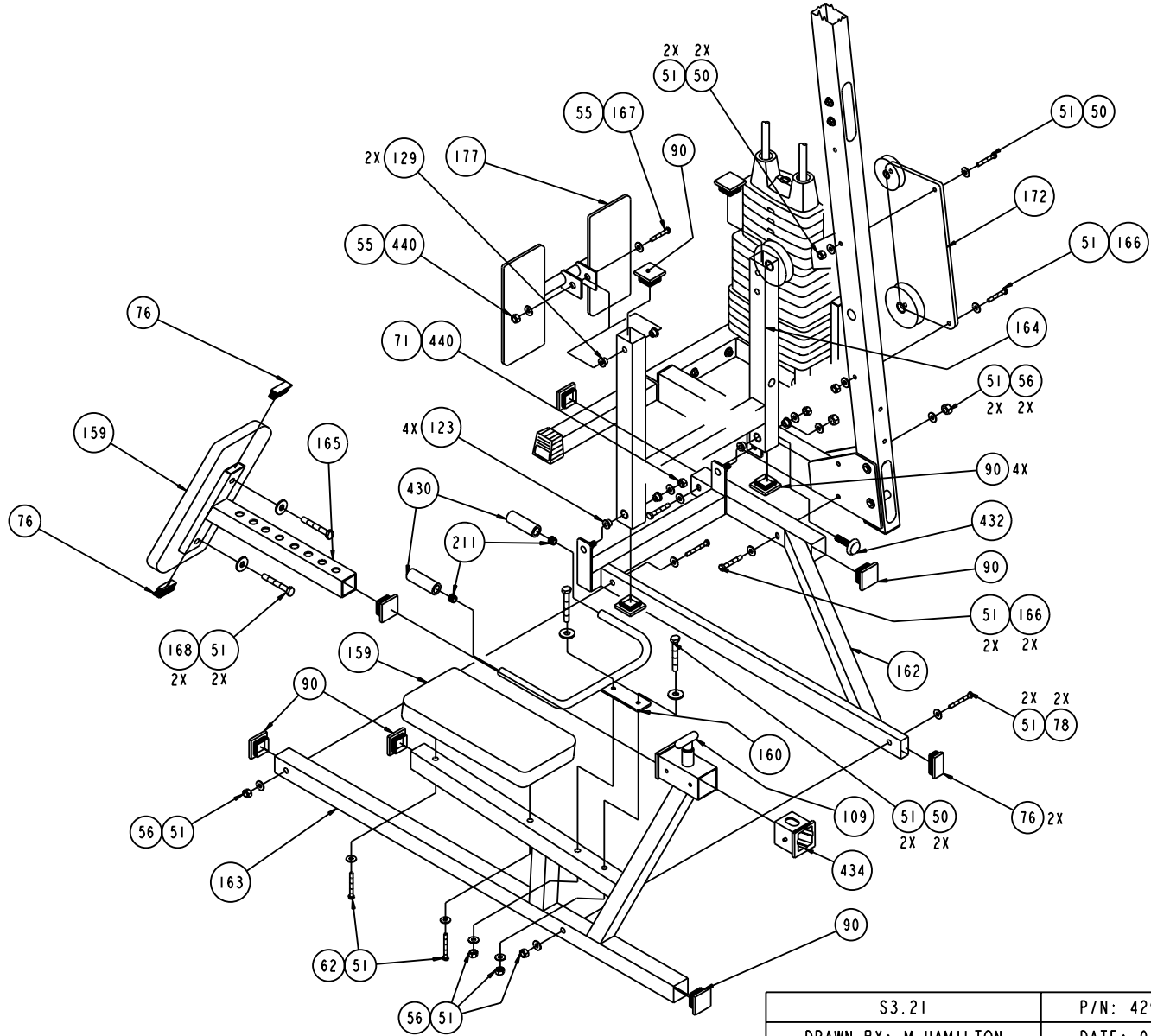
S3.21	P/N: 42928-102	REV: F02
DRAWN BY: M.HAMILTON	DATE: 01.21.03	SHEET 10 OF 14



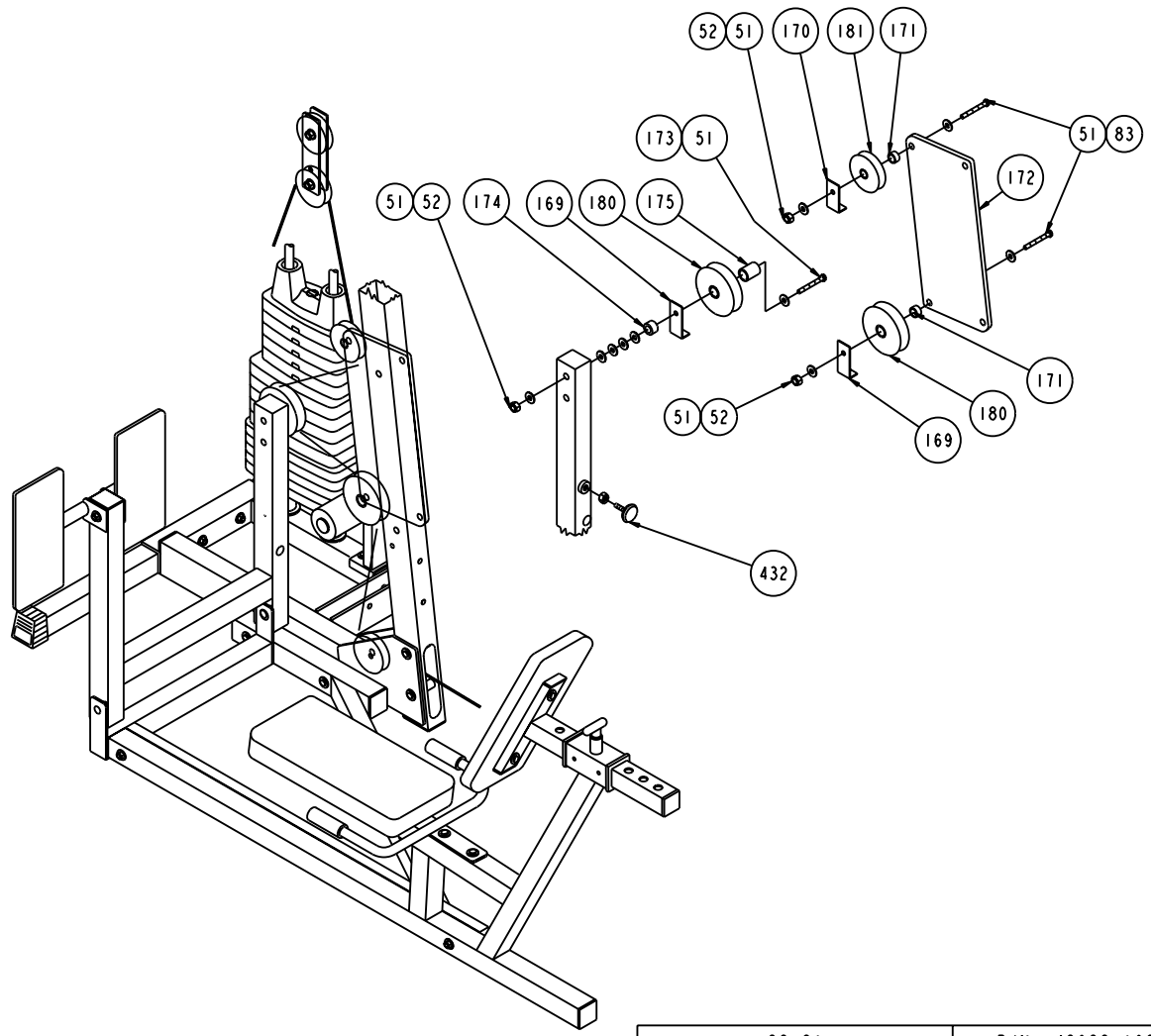
S3.21	P/N: 42928-102	REV: F02
DRAWN BY: M.HAMILTON	DATE: 01.21.03	SHEET 11 OF 14



S3.21	P/N: 42928-102	REV: F02
DRAWN BY: M.HAMILTON	DATE: 01.21.03	SHEET 12 OF 14



S3.21	P/N: 42928-102	REV: F02
DRAWN BY: M.HAMILTON	DATE: 01.21.03	SHEET 13 OF 14



S3.21	P/N: 42928-102	REV: F02
DRAWN BY: M.HAMILTON	DATE: 01.21.03	SHEET 14 OF 14

Bubble#	OEM Number	Description	
50	PPP00000HCKN038300	SCREW,HEX, GR5,3/8-16X3,BLK ZN	
51	PPP00000WNKN041007	WASHER, FLT, 3/8X.870X.065,BLK ZN	
52	PPP00000KDKN038034	LOCKNUT,FULL,3/8-16,BLK ZN	
53	PPP00000HCKN038475	SCREW,HEX,GR5,3/8-16X4 3/4,BLK ZN	
54	PPP00000HCKN050325	SCREW,HEX,GR5,1/2-13X3 1/4, BLK ZN	
55	PPP00000WNKN053008	WASHER,FLT,1/2X1.032X.075,BLK ZN	
56	PPP00000KDCN038034	LOCKNUT, FULL, 3/8-16, BLK ZN	
57	PPP000000043766101	WASHER,PLASTIC,SOLANA	
58	PPP000000043723101	MUSHROOM CAP, GRAY	
59	PPP00000HCKN038325	SCREW,HEX,GR5,3/8-16X3 1/4,BLK ZN	
60	PPP00000HCKN038375	SCREW,HEX,GR5,3/8-16X3 3/4,BLK ZN	
60	PPP00000HCKN038400	SCREW,HEX,GR 5,3/8-16X4,BLK	
61	PPP000000040365101	CUSHION,WT STACK	
62	PPP00000HCKN038275	SCREW,HEX, GR5,3/8-16X2 3/4,BLK ZN	
64	PPP000000040379102	SPACER,3/8 in. BLK ZN BARREL	
66	PPP00000WNKN026006	WASHER,FLT,1/4X.625X.063,BLK ZN	
67	PPP000000044997102	VINYL ROLLER PAD, BLACK	
69	PPP00000HCKN038100	SCREW,HEX,GR 5,3/8-16X1,BLK ZN	
70	PPP000000040364101	ENDCAP,3/4 in.DIA,BLK,OUTSIDE LOCK	
71	PPP0000WAAKN050010	WASHER,FLAT,TYPB,1/2,STL,BLK ZN	
72	PPP0000WBGKN013003	WASHER,HAT,SOLANA	
73	PPP00000HCKN038200	SCREW,HEX,GR5,3/8-16X2, BLK ZN	
74	PPP000000045047101	RETAINER, in.L in. CABLE,BLACK,TAIWAN	
76	PPP000000041177101	ENDCAP,25MMX50MM	
77	PPP000000040371101	LINK,SPRING,5/16	
78	PPP00000HCKN038375	SCREW,HEX,GR5,3/8-16X3 3/4,BLK ZN	
79	PPP00000HCKN038425	SCREW,HEX,GR5,3/8-16X4 1/4,BLK ZN	
80	PPP000000044890101	POP PIN,BALL KNOB,120MM	
81	PPP000000045057101	WEIGHT PIN & LANYARD	
83	PPP00000HCKN038250	SCREW,HEX,GR5,3/8-16X2 1/2,BLK ZN	
84	PPP000000040484102	CABLE,FLY PEC,S3.21	

Bubble#	OEM Number	Description	
85	PPP00000040372105	CHAIN,PASSING LINK,14 LINKS	
86	PPP00000HCKE038075	HEX,GR5,3/8-16X3/4,NYLOCK,BLK ZN	
87	PPP00000040298101	ASSY,ROD GUIDE,75 in.	
88	PPP000000043958101	WELDMENT,GUIDE ROD BRKT,GRAY,PT	
90	PPP000000041176101	ENDCAP,50MM X50MM	
94	PPP000000043963101	ASSY,SEAT STEM,CHROME	
95	PPP000000044828101	ASSY,TOP WEIGHT,CAST IRON	
98	PPP00000CEKE005020	SHCS,M5 X 20,NYLOCK,STL,BLK ZN	
99	PPP0000KARKN005005	NUT,PLAIN,HEX,M5,BLK ZN	
101	PPP000000043380101	ENDCAP,SQUARE,38MM	
103	PPP00000HCKN038650	HHCS,3/8-16 X 6.50,GR5 STL,BLK ZN	
105	PPP000000043382101	ENDCAP,50X75MM	
106	PPP000000044895101	WELDMENT,PRESS ARM,SILVER,PT	
107	PPP00000CATN025050	SCREW,SKHD,1/4-20X0.50,BLK SHARPERI	
108	PPP000000045142101	GRIP,HAND DIPPED,1 in.ID, 160MM L	
110	PPP000000044898101	BARREL SPACER, M7OD,5.2ID,6.4L	
112	PPP000000044478101	PLUG, BLACK M9.5 DIAM	
116	PPP000000044868101	PLASTIC SLEEVE BUMPER	
117	PPP00000HCKN038038	SCREW,HEX,GR5,3/8-16X3/4,BLK ZN	
118	PPP000000045130101	WASHER,SPRING,METRIC,17OD,10ID,2T	
120	PPP000000044837101	PRESS ARM SHAFT, GRAY,PT	
121	PPP000000045144101	PLASTIC BUSHING,TRICEP/AB CRUNCHBAR	
122	PPP000000044880101	SPACER, STEP, 1.0ID,1.5LIP	
123	PPP000000012286103	STEP SPACER,METRC,19.05ID,20L,BRNZ	
124	PPP000000044861101	ASSY,SIDE UPRIGHT,GRAY	
125	PPP000000041206101	ENDCAP,45MMX45MM	
126	PPP000000043729101	PLUG,GUIDE ROD,SOLANA	
130	PPP000000044873101	ROLLER PAD ROD, LEG EXT.	
138	PPP000000045027102	CURL BAR, CHROME	
139	PPP000000045033101	AB STRAP W/ O-RING, BLACK	

Bubble#	OEM Number	Description	
140	PPP000000045034101	ANKLE STRAP, BLACK	
145	PPP000000045235101	FOAM ROLLER,OD4 in.,L8 in.	
150	PPP000000040948102	CELL, 18 in. OPEN, BLACK VINYL	
151	PPP000000045017101	POP PIN,115MM,T-HANDLE,BLUNT NOSE	
154	PPP000000044885102	WELDMENT,PEC FLY ARM,LEFT,GRAY,PT	
157	PPP000000045054101	ASSY,20 HOLE SELECTOR STEM	
161	PPP000000CCKN038150	SCREW,SKHD,3/8-16X1.50,BLK ZN,LK	
176	PPP000000KDKN050070	NUT,LOCK,FULL,1/2-13,NYLON INSERT,S	
179	PPP000000045143101	GRIP,HAND DIPPED,1 in.ID, 180MM L	
181	PPP000000045304101	PULLEY,3-1/2 in., GRADE A, BIG RADIUS	
195	PPP000000043890101	E-CLIP	
211	PPP000000044474101	END CAP,ROUND,ZUMA MULTI-HIP	
213	PPP000000044976101	PLASTIC TOP WEIGHT BUSHING	
216	PPP000000EAKN031025	SCREW,SET,5/16-18X1/4,CUP,HEX,BLK	
217	PPP000000044891101	POP PIN, T-KNOB,4.53L	
224	PPP000000044794042	KIT, HARDWARE, S3.21, STEP 4	
228	PPP000000044794082	KIT, HARDWARE, S3.21, STEP 8	
229	PPP000000044794090	KIT, HARDWARE, S3.21, STEP 9	
230	PPP000000044794102	KIT, HARDWARE, S3.21, STEP 10	
231	PPP000000044794111	KIT, HARDWARE, S3.21, STEP 11	
234	PPP000000044794142	KIT, HARDWARE, S3.21, STEP 14	
235	PPP000000044794152	KIT, HARDWARE, S3.21, STEP 15	
237	PPP000000044794170	KIT, HARDWARE, S3.21, STEP 17	
238	PPP000000044794181	KIT, HARDWARE, S3.21, STEP 18	
239	PPP000000044794192	KIT, HARDWARE, S3.21, STEP 19	
350	PPP000000010158113	BEARING,BALL,6004 2RS C3	
432	PPP000000044883101	ASSY,BUMPER, 1.34L	
435	PPP000000040386103	LABEL,WEIGHT STACK,RETAIL	
996	PPP000000043419101	LUBE,GUIDE RODS	
PRECOR CONSUMER DEALER Search and locate authorized Precor dealers for your needs.			